



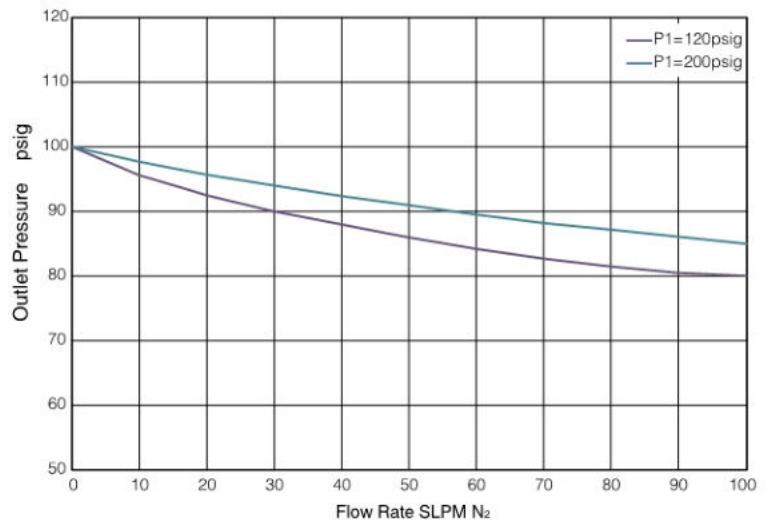
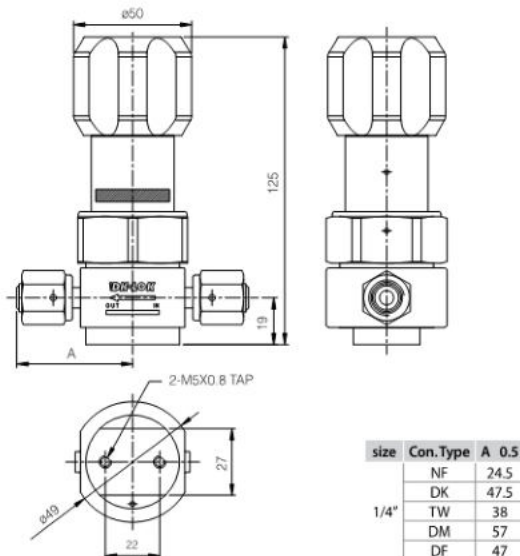
Features

- All Internal surfaces are finished with 10Ra or 5Ra to ensure minimal particle generation & moisture contribution.
- DK-Lok's own electropolished.
- Entrapment metal to metal seal provide enhanced leak tight integrity.
- Excellent stability of set pressure with accuracy, sensitivity.
- Hastelloy C-22 diaphragm material.
- PCTFE / PI seat material with remarkable chemical & thermal resistance.

Specification

Pressure Rating	
Maximum Inlet Pressure	600 / 3500 psig (41 / 241 bar)
Outlet Pressure Range	0 ~ 30 / 0 ~ 60 / 0 ~ 150 / 0 ~ 250 psig (0 ~ 2.1 / 0 ~ 4.1 / 0 ~ 10.3 / 0 ~ 17.3 bar)
Material in Contact	
Seat	PCTFE (PI Optional for High Pressure (3500psig) Model)
Poppet	316L Stainless Steel / Hastelloy C-22
Poppet Spring	316L Stainless Steel / Inconel X750
Diaphragm	Hastelloy C-22
Body	316L Stainless Steel BA, EP(Electropolish)
Other Spec.	
Flow Coefficient	Cv = 0.2 (600psig) / Cv = 0.06 (3500psig)
Inboard Helium Leak rate	≤ 1×10 ⁻⁹ atm.cc/sec
Operating Temperature	PCTFE : -26 ~ 80°C (-15~176°F) / PI : -26 ~ 177°C (-15~350°F)

Dimension & Flow Curve

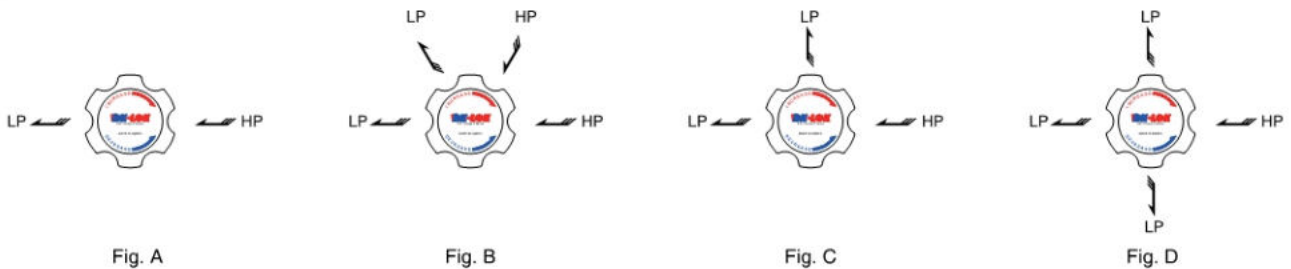


Ordering Information

URG	1	DF	—	2	1	B	3	4	—	SL	P	—	X
1	2	3		4	5	6	7	8		9	10		11

1. Product	Ultra High Purity Regulator Series URG1	
2. Connection Size	1: 1/4"	
3. Connection Type	NF : Female NPT Thread DK : DK-Lok Type TW : Tube butt Weld	DM : DCR Male Type DF : DCR Female Type
4. Max. Inlet Pressure	1 : 3500 psig	2 : 600 psig
5. Max. Inlet Pressure Gauge	1 : 600 psig 2 : 1000 psig 3 : 3500 psig	4 : 4000 psig Blank : No Gauge
6. Gauge Port Type & Port Configurations	N : No Gauge (Fig.A) A : 1/4" DCR Female Swivel (Fig.B) B : 1/4" DCR Female Swivel (Fig.C) C : 1/4" DCR Female Swivel (Fig.D) D : 1/4" DCR Male Swivel (Fig.B) E : 1/4" DCR Male Swivel (Fig.C) F : 1/4" DCR Male Swivel (Fig.D)	G : 1/4" Female NPT Thread (Fig.B) H : 1/4" Female NPT Thread (Fig.C) I : 1/4" Female NPT Thread (Fig.D) J : 1/4" Internal Face Seal (Fig.B) K : 1/4" Internal Face Seal (Fig.C) L : 1/4" Internal Face Seal (Fig.D)
7. Outlet Pressure Range	1 : 0 ~ 30 psig 2 : 0 ~ 60 psig 3 : 0 ~ 100 psig	4 : 0 ~ 150 psig 5 : 0 ~ 250 psig
8. Max. Outlet Pressure Gauge	1 : 30 psig 2 : 60 psig 3 : 100 psig 4 : 160 psig	5 : 200 psig 6 : 300 psig Blank : No Gauge
9. Material	SL : 316L Stainless Steel SLH : 316L Stainless Steel with Hastelloy internals	DL : 316L Stainless Steel VAR DLH : 316L Stainless Steel VAR with Hastelloy internals
10. Inner Surface Grade	B : BA (Ra 10µin) P : EP (Ra 5µin)	
11. User Option	Customization (STD : Blank)	

Port Configurations



Safe Valve Selection

The selection of a valve for any application or system design must be considered to ensure safe performance. Valve function, valve rating, material compatibility, proper installation, operation and maintenance remain the sole responsibility of the system designer and the user. DK-Lok accepts no liability for any improper selection, installation, operation or maintenance.

© Copyright 2018. All Rights Reserved.

<p>IDK-LOK® Fittings & Valves www.dklok.com</p>	<p>IDK-LOK Corporation Mailing Address 7, Golden root-ro 129beon-gil, Juchon-myeon, Gimhae-si, Gyeongsangnam-do, South Korea 621-842</p>	<p>DK-Lok contact information Tel. (82) 55-338-0114 Fax. (82) 55-901-0143 E-mail : sales@dklok.com</p>	<p>For International customers Tel. (82) 55-338-0031/2 Fax. (82) 55-901-0142 E-mail : dklok@dklok.com</p>
--	---	--	---